



## LED Power Supply TLG-12E100C

### Features:

- High efficiency, environmental protection and energy saving
- Integrated aluminum shell with ultra-thin and compact size
- Comply with CE certification
- IP68 waterproof , suitable for indoor or outdoor using
- Protection types: short circuit, over load, over temperature

SELV CE   **IP68**  CCS-220778-EA

### INPUT

|                   |   |
|-------------------|---|
| INPUT VOLTAGE     | 180~264V AC<br>(Refer to the derating curve of "Loading and Input voltage") |
| FREQUENCY RANGE   | 47~63Hz   |
| EFFICIENCY        | 88%   |
| AC CURRENT        | ≤ 1.13A@230VAC  |
| AC INRUSH CURRENT | ≤ 46A@230VAC  |
| LEAKAGE CURRENT   | ≤ 0.25mA/230VAC   |

### PROTECTION

|                  |  |
|------------------|--|
| OVER LOAD        | 95%-120% rated power,  |
| OVER TEMPERATURE | Protection Type: The maximum output power decreases with increasing case temperature                             |
| SHORT CIRCUIT    | Protection Type: output becomes Hiccup mode, and will recover automatically after the fault condition is removed |

### SAFETY & EMC

|                             |   |
|-----------------------------|---|
| SAFETY STANDARDS            | IEC61347 A1 +A13  |
| EMC                         | EN 55015;EN 61547;EN 61000-3-2;<br>EN 61000-3-3                             |
| WITHSTAND VOLTAGE ISOLATION | I/P-FG:1.5KV AC I/P-O/P:3.75KV AC<br>I/P-O/P:> 100M Ohms/500VDC/25°C /75%RH |

### OUTPUT

|                   |                |
|-------------------|----------------|
| DC OUTPUT         | 12V            |
| OUTPUT CURRENT    | 8.0A           |
| RATED POWER       | 96W(Max.)      |
| VOLTAGE TOLERANCE | ±5%            |
| SETUP RISE TIME   | ≤1000mS/230VAC |

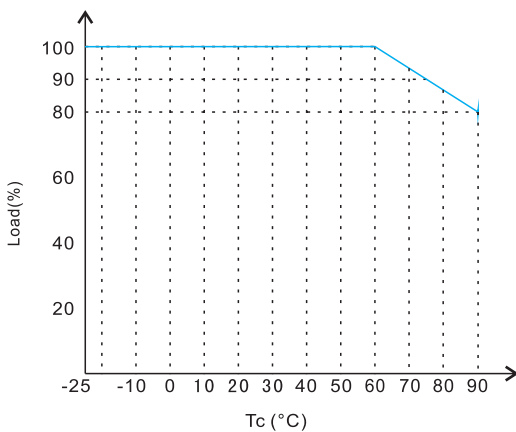
### ENVIRONMENT

|                       |   |
|-----------------------|---|
| OPERATING TEMPERATURE | -25°C~+60°C<br>(Refer to the derating curve of "Loading and Ambient temperature") |
| WATERPROOF LEVEL      | IP68  |
| STORAGE TEMPERATURE   | -35°C~+65°C   |

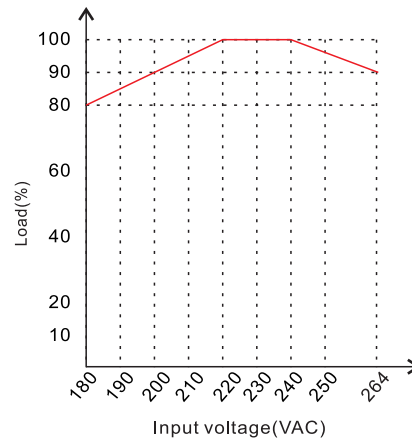
### OTHERS

|                   |               |
|-------------------|---------------|
| PRODUCT DIMENSION | 236x57x18mm   |
| NET WEIGHT        | 0.43KG        |
| QUANTITY          | 40PCS         |
| PACKING DIMENSION | 335x305x280mm |
| GROSS WEIGHT      | 18.9KG        |

### Load VS Case Temperature



### Load VS Input Voltage



### INSTALLATION GUIDE

- It is recommended to use no more than 80% of the rated load of a power supply, to have tolerance for the power increase of LED modules or strips when their running temperature goes up.
- It is very important to have enough ventilation for a power supply to avoid overheating.
- Do not install the power supply in a closed place, or near flammable or explosive objects.
- Choose wires with correct AWG or copper area for electrical connection according to the rated current.

## OVERVIEW



## TOP VIEW



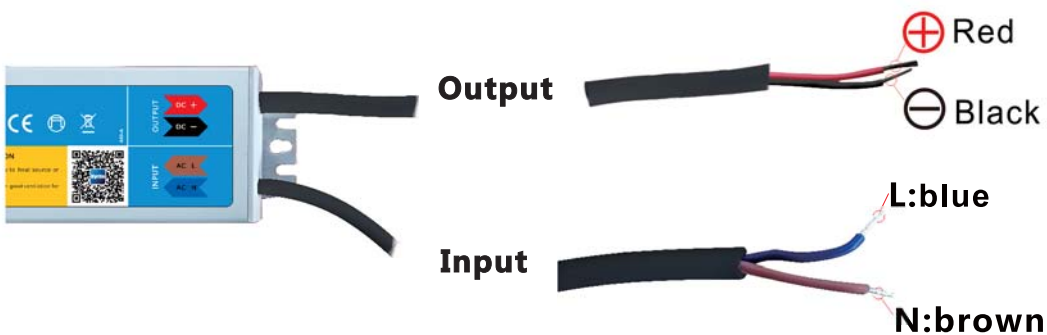
## FRONT VIEW



## BOTTEM VIEW

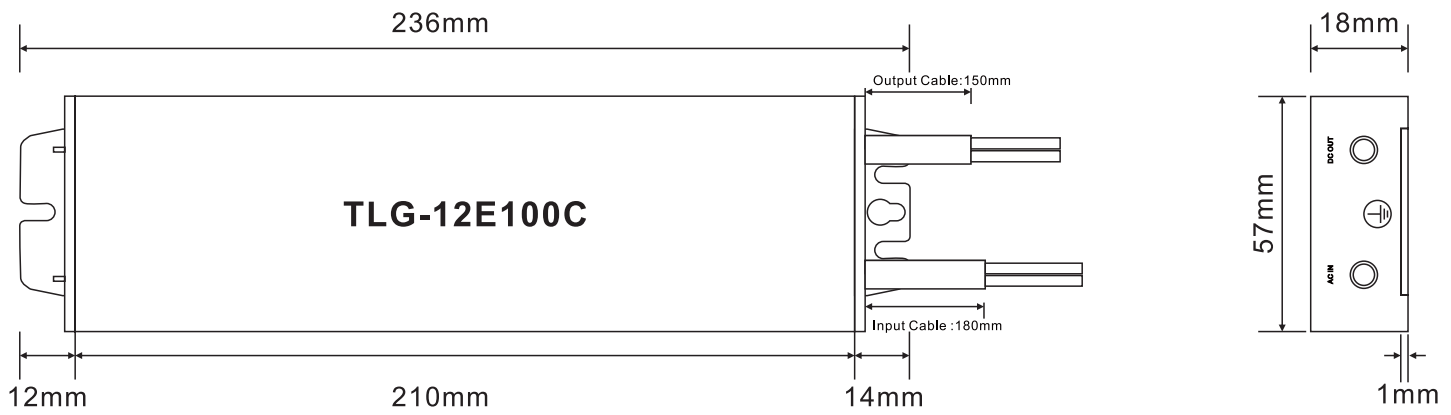


## Wiring



**Ground** Make sure that the grounding end of the product is well connected to the earth through the grounding wire (self-provided).

## PRODUCT DIMENSION



## INNER BOX



## OUTSIDE CARTON

